

Read all Instructions before beginning!!!!

Caution – **EXTREME DANGER** – Caution

Do not use or mix any other manufacturer's products with any Nitrous Express products. Do not use or mix any Nitrous Express products with any other manufacturer's products. **THESE INSTRUCTIONS APPLY TO NITROUS EXPRESS PRODUCTS ONLY!**

FOR SANCTIONED RACE USE ONLY - NOT FOR SALE OR USE IN CALIFORNIA

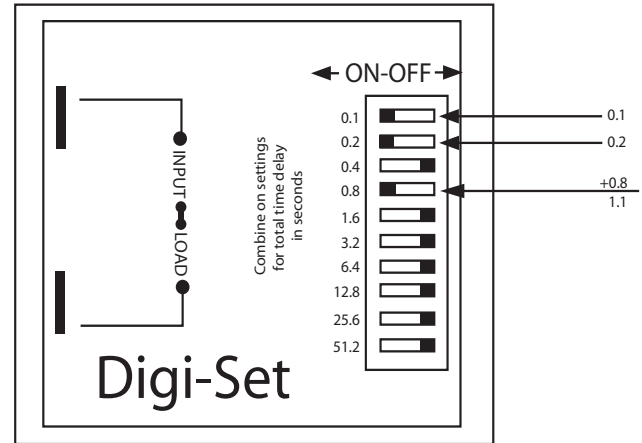
This time delay switch will allow you to activate a second stage of nitrous as a function of time.

Use the rocker switches on the top of the timer to set the amount of delay (0.1 to 102.3 seconds).

If using an RPM switch, connect the yellow wire from the RPM switch to the white wire of the relays.

If using a push button, connect it in place of the throttle switch shown.

CAUTION: The time delay switch is only rated for 10 amps. Using the relay is a must.



This time delay switch is set to activate a second stage of nitrous after a delay of 1.10 seconds

