

# Snow Performance Boost Cooler® Gas Water-Methanol Injection Kit Carbureted Instructions

(Part#'s SNO-15025 / SNO-15025-BRD & SNO-15036 / SNO-15036-BRD)



**CAUTION:** You must completely read through these instructions before installing and operating this product. Failure to do so can result in damage to this product and the vehicle.

**Version: 1.0**



**BOOST COOLER®**

Congratulations on your purchase of a Snow Performance Boost Cooler® Gas Water-Methanol Injection kit! **Keep these instructions for reference.** First locate the part# of your injection system which can be found on the front of the Boost Cooler® box. Use this number to identify which set of electrical and setting instructions to follow.

## Required Tools Needed For Install:

- Phillips/Flat Head Screwdriver
- Power Drill
- Razor Blade
- Preferred Electrical Connectors (Crimping/Stripping Tools, Blue Butts, Eye Hooks, Posi-Taps, Fuse Taps, Soldering Supplies etc)
- Spare 16 Gauge Wire (Optional Depending On Install)
- Open End Wrench / Socket Set
- 1/8" – 27 NPT Tap (Optional Depending On Install)

**Average Install Time: 4-6 Hours**



## TECH TIP

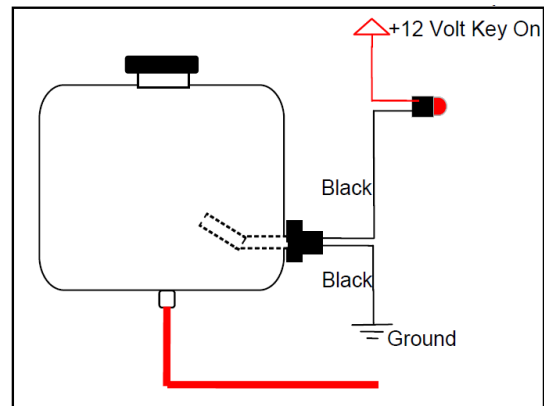
Locate the wiring diagram for your injection kit further in these instructions beginning on page 8 for overview of system layout before attempting install.

## Step 1 Self Sealing Low Level Sensor Install (Optional)

Although not required for kit operation, the low level sensor and yellow led are a great way to monitor the level of your water-meth tank. The level sensor is designed to turn on the led or alert the controller in some kits as soon as the level inside the reservoir reaches the level of the sensor.

Step 1: Remove plastic nut, plastic ring, and clear rubber gasket from level sensor assembly.

Step 2: Using a stepped drill bit. Drill the hole for the level sensor at the location in the tank you want to be alerted. Typical placement is 1/3<sup>rd</sup> of the tank height.



Step 3: Remove the cap from the tank and feed/pull wires through hole until level sensor is seated against plastic stopper.

Step 4: Reinstall the clear rubber gasket, plastic ring, and plastic nut onto the level sensor.

Step 5: Push clear rubber in until flush with outside of reservoir.

Step 6: Align the switch so the arrow is facing down. If arrow faces another direction the sensor will not operate.

Step 7: Tighten the plastic lock nut until the rubber gasket pushes firmly on the wall of the reservoir creating a leak free seal.

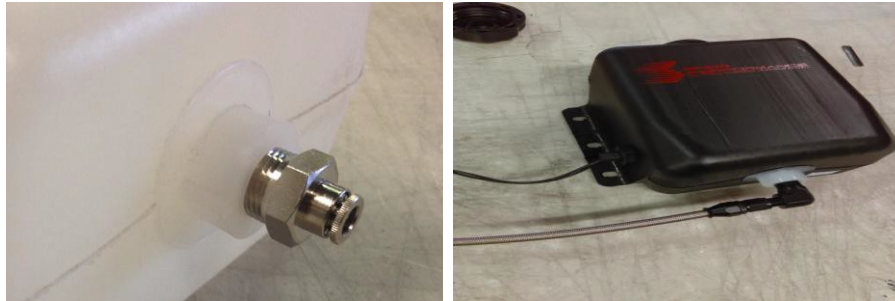


## Step 2 Tank Install

**OPTIONAL:** If desired you can use the stock windshield washer fluid tank as the tank for your water-meth system. Simply drill and tap a 3/8" NPT hole in desired feed spot for system and install the 3/8" NPT fitting into the tank using E-6000 sealant on threads/around area.

**BRAIDED LINE KITS ONLY:** If you are not using the OEM windshield washer fluid tank or 3qt tank underhood, a upgrade exists to move your tank to the trunk of any vehicle (See Part# SNO-40012-BRD) and other larger trunk mount tank options (See Part# SNO-40014-BRD)

Step 1: Install 3/8" NPT to 1/4" Quick Connect fitting or 3/8" NPT to 4AN Elbow fitting into the bottom of the reservoir using E6000® sealant on the threads.



Step 2: After allowing the thread sealant to dry, fill reservoir with water and check for leaks around tank fitting and level sensor. If leak occurs use E6000® sealant.

Step 3: Install the 3qt. tank with four (4) #8x1&1/2" self-tapping screws and four (4) #8 washers (supplied) in desired mounting location. Typical placement is any void area inside the engine bay.



The reservoir should be installed above the pump, but below the nozzle. This keeps the pump primed and avoids fluid leaking into nozzle when not in use



**CAUTION:** To avoid gravity feeding of fluid with rear mount reservoirs or injection points past the throttle body it is essential to use a solenoid upgrade (Part # SNO-40060 / SNO-40060-BRD). Do not operate your rear mount reservoir equipped vehicle without an anti-siphon solenoid installed.

### Step 3 Pump Install

**Braided Line Kits Only-** Install (2) 3/8" NPT to 4AN Straight fittings into the pump inlet and outlet using E6000® sealant on the threads. **Do not overtighten as damage to the pump housing can occur.**

**Quick Connect Kits Only-** Remove the blue rubber plugs from the quick-connect fittings by first pushing the plug toward the pump, hold the grey collar against the pump, and gently pull the blue plug from the fitting. Warning: Pulling against the quick connects with excessive force may cause fitting damage.

Step 1: Position the fluid pump so that the inlet is positioned at or below the lowest point of the reservoir, and within two feet of the reservoir. (Pump can be installed in any orientation). This will ensure the pump is primed with fluid for optimal flow and pressure to the nozzles.

**\*\*Arrows on the pump inlet and outlet indicate the direction of fluid flow\*\***



Step 2: Install the fluid pump with four (4) #8x1&1/2" screws and four (4) #8 washers (supplied) in desired mounting location.

Step 3: Fit the high temp nylon tubing or braided line between the tank outlet fitting and the pump inlet, ensuring there are no kinks in the line and there is no stress on the fittings. Sharp kinks/bends can cause a leak in the system.

**Braided Line Kits Only-** Using the 2' or 1' stainless braided line section supplied in the kit connect the tank outlet to pump inlet.

**Quick Connect Kits Only-** Once high temp nylon is measured from tank outlet to pump inlet cut tubing using razor blade. Remove any burrs so that the fluid line properly seals against the internal o-rings inside the quick connect fittings. Insert tubing into the quick connects until fully seated, and pull lightly against quick connects to ensure proper installation between tank outlet to pump inlet



**CAUTION:** Pump must be shielded from road debris and direct tire wash. Failure to do so will result in pump failure.

## Step 4 Nozzle Selection

Locate your Hyper-Sonic® water-methanol nozzles in the kit and compare the number stamped on the side to the above chart to determine its size. Nozzle sizing is determined by horsepower (which approximates the engine airflow) and boost (which approximates intake charge heat).

Determine your vehicle HP and boost/or no boost (N/A) and determine what size nozzle is needed for your application using the nozzle selection chart below. If you are unsure what nozzle to run with your given HP and boost send a email to [tech@snowperformance.net](mailto:tech@snowperformance.net) for assistance.

**Nozzle Selection Guide available at the link below:**

[https://www.nitrousexpress.com/images/nozzle\\_selection\\_guide.jpg](https://www.nitrousexpress.com/images/nozzle_selection_guide.jpg)

Seal the appropriate nozzle into the nozzle holder fitting using E6000® sealant on the nozzle threads.

**\*\*The end of the nozzle with the fine mesh screen should be inserted into the nozzle holder\*\***



Correct



Correct

**\*\*Teflon sealants are not compatible with methanol, and should not be used with the install of your Snow Performance Boost Cooler®\*\***

## Step 5 Nozzle Mounting & Plate Install



When installing your Carb Plate, use provided Carb Studs that are sent with your water/meth system to secure your water/meth spacer plate. This plate should be installed between your carburetor and your intake manifold. While installing your water/meth nozzles, install a single nozzle set up in the front port once plate is installed on the engine. For best distribution upgrade to our Dual Nozzle System and run 2 or 4 nozzles.

Nozzles should be installed into one port on the Carb plate, if you are wanting to use more than one nozzle be sure to have our Dual Nozzle System (P#SNO-40040 / SNO-40040-BRD), and you will also need solenoid for a dual nozzle set up (P#SNO-40060 / SNO-40060-BRD).

Be sure to use E6000 that is sent with the system, to seal your nozzles into the plate. And plug any other ports on the plate that aren't being used for your Methanol system.

## Step 6 High Flow Check Valve Install

The check valve assembly (35 PSI Crack Pressure) will ensure that boost pressure does not back-feed air into the system or siphon due to engine vacuum. Ensure the check valve is installed with the arrow pointing in the direction of flow. The Check valve may be installed anywhere between the pump and nozzles. In a dual nozzle application the check valve will be placed between the pump and T fitting.

**Quick Connect Kits Only-** Fit the NPT thread to push connect adapters in both sides of the check valve using E-6000 sealant on the threads. Press the high pressure tubing in each fitting, ensuring the check valve is oriented properly in the direction of flow.




**Braided line kits** - Fit the NPT thread to 4AN adapters in each side of the check valve using E-6000 sealant on the NPT threads **only**. Connect the 5 foot section of braided line from the pump outlet to check valve inlet and the 1' or 2' section of braided line from the check valve outlet to the nozzle holder inlet.

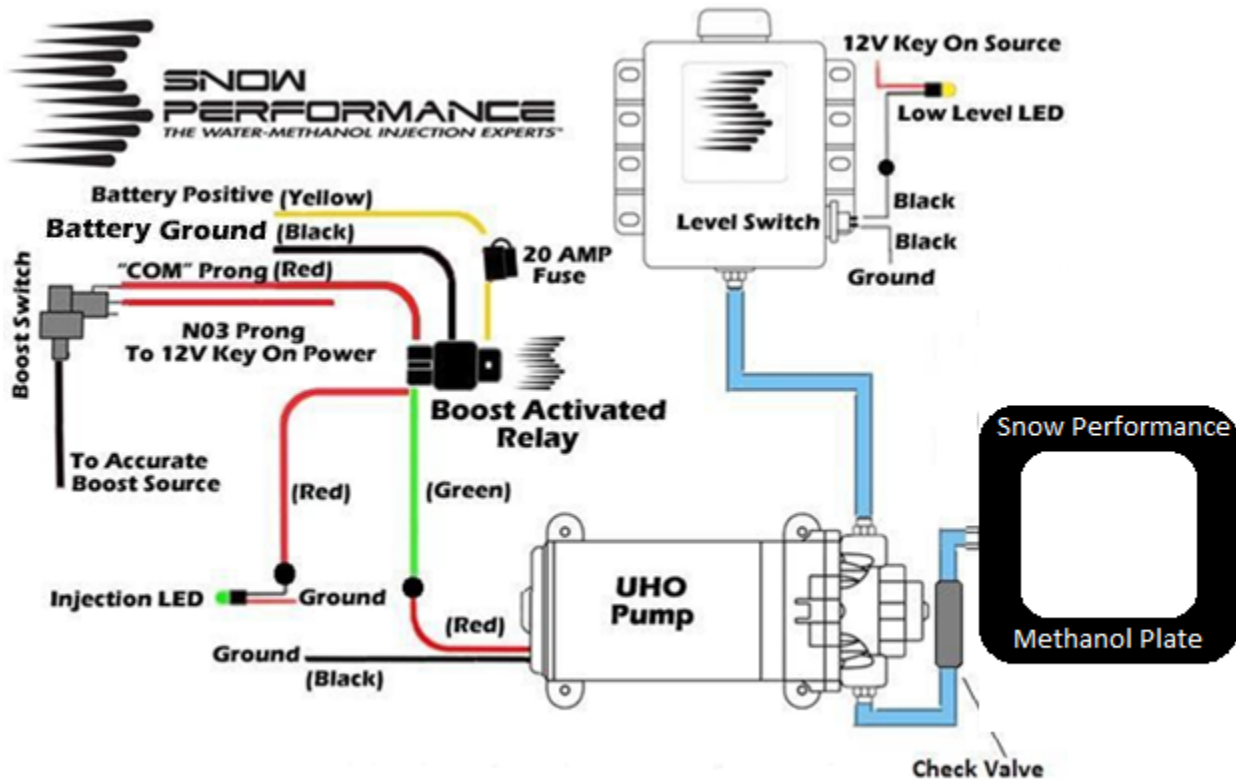


When running the high pressure tubing or braided line from the in line check valve to the nozzle holder location, care should be taken to avoid extreme heat such as exhaust manifolds as well as any area that may abrade the line due to engine vibration and torque over. Also, ensure the lines are clear of the serpentine belt system.

## Step 7 Electrical / Injection Settings

 **CAUTION:** Disconnect the negative battery terminal while connecting wires to prevent electrical fire or damage to controller.

## Wiring Diagram



### Step 1 Boost Switch

Step 1: Mount the boost switch in desired location using a tie wrap or something similar.

**\*\*Hard mounting boost switch using screws is not recommended as diaphragm distortion could cause the switch to malfunction\*\***

Step 2: Slide 1/8" silicone tubing (supplied) over nipple on boost switch. Use tie wrap or clamp to secure boost hose.

Step 3: Using supplied boost "T" fitting attach the other end of the silicone tubing to a manifold boost source.

Step 4: Using preferred electrical fitting connect the red wire from the relay that shares its terminal with a green wire, to the red wire on the LED.



## Step 2 Relay Wiring

The relay is a normally open relay designed to close the circuit to the pump when triggered by the boost pressure switch.

Step 1: Mount the relay in desired location near the pressure switch, using supplied (1) #6x $\frac{1}{2}$ " self-tapping screw.

Step 2: Using preferred electrical fitting connect relay BLACK wire to **BATTERY** ground.

Step 3: Using preferred electrical fitting connect the supplied fuse holder and 20 AMP fuse in line with the YELLOW wire.

Step 4: Using preferred electrical fitting connect the end of the YELLOW wire to battery positive terminal.

Step 5: Using preferred electrical fitting connect relay GREEN wire to fluid pump red wire.

Step 6: Using preferred electrical fitting connect relay RED wire (same terminal as green wire) to green LED red wire.

Step 7: Using preferred electrical fitting connect relay single RED wire to boost switch prong labeled "COM".

## Step 3 Setting Boost Switch Activation Point

The boost switch will engage the water-meth kit once a certain boost PSI has been reached and turn the system off once boost drops below the user set point.

At the factory setting, the boost switch will start injection at 9-11 psi. boost.

To increase the activation point, one (1) full turn clockwise will increase switch pressure by about 2psi.

To decrease the activation point, one (1) full turn counter-clockwise will decrease switch pressure by about 2psi.

If the engine hesitates or bogs when injection starts, raise the boost setting in increments of 1-2 psi.

**Typical injection onset points are at  $\frac{1}{2}$  of maximum boost.**



### TECH TIP

**Typical injection start points are  $\frac{1}{2}$  of the vehicle's maximum boost pressure. Introducing water/methanol before  $\frac{1}{2}$  of maximum boost pressure could result in quenched combustion and engine misfire.**

## Step 4 Testing the System

You are now complete with your Stage 1 Boost Cooler install. Check the system for any leaks/correct wiring. To test the system before use follow the below steps.

Step 1: Make sure tank is filled with fluid.

Step 2 Arm systems by putting key in the ignition.

Step 3: Remove nozzle from intake location. Place in location that is easy visible.

Step 4: Disconnect boost hose connecting to the boost switch. Using a air compressor with a regulator give 15-25 PSI of air directly to the boost switch. The system should engage, fluid should be atomized out of the nozzle. If no injection occurs check wiring/grounds for the system.

Step 5: Enjoy increased octane! See tuning tips / FAQ at the end of these instructions for more info.

## Tuning Quick Reference

The power potential of the system is realized through increased boost and/or timing. The large gains on octane and cooling provided by the system make this possible, even on standard pump fuel.

The Boost Cooler® adds an alternate fuel source as well as significantly cools combustion. With the Boost Cooler®, one does not need to cool combustion with overly rich air/fuel ratios. To minimize combustion quench, you should start with an air to fuel ratio of 12.0-12.5:1. Injecting water/methanol lower than 3300-3500 RPM could result in combustion quench.

All vehicles are different. If the engine bogs or loses power, then injection is starting too early, the quantity is too much, or there is not enough methanol in the mixture (50/50 water/methanol recommended).

## Maintenance

Remove nozzle(s) and clean screen filters once per year using a calcium removing formula such as CLR®

The Boost Cooler® has been designed to operate with high concentrations of methanol. Oil or other additives are not required for system lubrication, and can cause damage to the system.

Contaminants in the fluid such as dirt can damage the system. Ensure that dirt and debris do not fall into the tank. This can lead to solenoid/pump failure.

Do not use Teflon tape or paste to seal connections. These sealers are not as effective as the E-6000 sealant provided and can break down over time with high methanol use, clogging components.

# Water-Meth FAQ

## **Q: How long will a 3 Qt tank of water/methanol last?**

**A:** This depends on a number of variables (HP, injection system, settings, driving style, etc.) For most gasoline engines in the 250-550 HP range the standard 3Qt reservoir will last around two 12-15 gallon tanks of gasoline.

## **Q: What fluids can I use in my water/methanol system?**

**A:** Boost Juice®: This is the best fluid to use and is Snow Performance's 49% methanol, 51% water mixture that can be shipped to your door or picked up at a local dealer. (If you are using your washer reservoir as the injection tank, Boost Juice® is a great washer fluid and can be injected directly on the windshield without damaging the vehicle.)

- Windshield Washer fluid: Only if it is blue in color and rated for -20 deg F. It should have no special additives. This means it is safe to use and made of 30% methanol, 70% water. If it is another color or another temperature rating, **do not use it**. You can "spike" your Blue -20 Washer fluid to a 50% mixture by adding 3 12OZ yellow bottles of Heet® gas-line-antifreeze to every gallon of washer fluid.
- Mix your own: You just need to make sure the methanol is "neat" and contains no lubricants or other additives. We recommend a 50% mixture by volume of M-1 pure grade methanol and distilled water.
- Do NOT use E85 or any other fluid with gasoline mixed in. It will destroy the fluid delivery part of your Boost Cooler® and instantly void the warranty.

## **Q: Do I have to have a custom dyno tune with a water-meth kit?**

**A:** While extremely recommended for maximum performance and safety while injecting water-methanol a custom tune is not necessary to operate the vehicle as long as the following are met. 1) The vehicle is not utilizing a existing custom tune for the water-methanol 2) A low methanol concentration is being injected and not severely effecting the air/fuel ratio. Consult your local dyno professional for tune / recommendation.

## **Q: What ratio of water/methanol is recommended?**

**A:** A 50/50 ratio is recommended for maximum performance and safety. Ratios of anywhere from 30% to 50% methanol work well and deliver excellent octane gains and cooling without over richening the air fuel ratio.

## **Q: Can I use pure methanol?**

**A:** While all components of Snow Performance systems are designed to be able to handle 100% pure methanol, it is not recommended for a number of reasons.

- Safety: Pure methanol is easy to ignite with a low 140F degree flash-point and burns with an invisible flame.
- Performance: Water absorbs almost twice as much heat as methanol in the intake and inside the combustion chamber. Water cannot be flash-ignited, so has what is almost an infinite octane number. In

the government studies for WWII piston-powered aircraft, 50/50 water-methanol was found to be the best fluid to use for auxiliary fluid injection.

**Q: Can I inject water/methanol with nitrous?**

**A:** Yes! With nitrous, water/methanol injection allows the use of more timing advance even with large (250HP+) quantities. The cooling effect of the water/methanol inside the combustion chamber also makes for reduced peak combustion temperatures.

**Q: Should I mount my nozzles pre or post turbo/supercharger?**

**A:** • Centrifugal Supercharger/Turbo: Never mount an injector nozzle before a centrifugal supercharger or turbocharger compressor. Sending fluid through the compressor wheel that spins anywhere from 50,000rpm to 250,000rpm can erode the leading edges of the fine aluminum. Studies performed by SAAB, concluded that pre-turbo injection will over time cause cavitation on the turbo wheel leading edges.

• Positive Displacement Supercharger: Mounting the nozzle before this style of blower is perfectly safe and actually provides some additional benefits. The small amount of water-methanol fluid isn't harmful to any rotor seals or surfaces or coatings. Additionally, it keeps the rotors and housing MUCH cooler, which reduces heat transfer to the rest of the intake and air charge.

## Disclaimer

Do not use this product until you have carefully read the following agreement.

This sets forth the terms and conditions for the use of this product. The installation of this product indicates that the BUYER has read and understands this agreement and accepts its terms and conditions. Performance products by their nature are designed to increase horsepower and performance not engineered in the original vehicle and the increased stress could result in damage to related systems. This is a high performance product – use at your own risk. Snow Performance Inc., Its agents, employees or owners shall not be under any liability whether in contract or otherwise whether or not resulting from our negligence or contents of information supplied for any damage or loss resulting from such information. The **BUYER** is responsible to fully understand the capability and limitations of his/her vehicle according to manufacturer specifications and agrees to hold the **SELLER** harmless from any damage resulting from failure to adhere to such specifications. The **SELLER** disclaims any warranty and expressly disclaims any liability for personal injury or damages. The **BUYER** acknowledges and agrees that the disclaimer of any liability for personal injury is a material term for this agreement and the **BUYER** agrees to indemnify the **SELLER** and to hold the **SELLER** harmless from any claim related to the item of the equipment purchased. Under no circumstances will the **SELLER** be liable for any damages or expenses by reason of use or sale of any such equipment. The **BUYER** is responsible to obey all applicable federal, state, and local laws, statutes, and ordinances when operating his/her vehicle, and the **BUYER** agrees to hold **SELLER** harmless from any violation thereof. The **SELLER** assumes no liability regarding the improper installation or misapplication of its products. It is the installer's responsibility to check for proper installation and if in doubt, contact the manufacturer.

Notes: The contents of this document are subject to change without prior notice. No part of or this entire document may be reproduced in any form without prior written permission of Snow Performance, Inc. under the copyright except for private use. The names, addresses and telephone numbers mentioned are current as of November 15 2018. Note that this information is subject to change. Please refer to [www.snowperformance.net](http://www.snowperformance.net) for current information.

### **Snow Performance Warranty Policy:**

Snow Performance, Inc. warrants that the Product shall conform to and perform in accordance with published technical specifications and shall be free of defects in materials and workmanship for 1-year providing:

1. You are the original purchaser and provide proof of purchase.
2. The system was purchased from a Snow Performance Authorized Dealer at pricing set by SnowPerformance.\*

**\*No warranty will be offered for any Snow Performance products if purchased below MRP. For MRP pricing of your product check [www.snowperformance.net](http://www.snowperformance.net).**

3. An RMA # has been attained and is displayed on package containing returned part.
4. Parts Warranty ~ 90 day warranty on parts purchased separately if used in conjunction with a Snow System. No warranty implied if used with a non-Snow part/system. Subject to Snow's inspection of the product, Snow will remedy defects in materials and/or workmanship by repairing or replacing, at Snow's option, the defective product without charge for parts or labor, subject to the limitations and exclusions described in this warranty.

This warranty does not cover problems caused by normal wear and tear including aesthetic oxidation of surfaces, accidents, unlawful vehicle operation, or modifications or repairs to product not performed or authorized by Snow. This includes any product that is disassembled or taken apart for any reason.

In addition, this warranty does not cover problems resulting from conditions beyond Snow's control including, but not limited to, theft, misuse, overloading, or failure to assemble, mount or use the product in accordance with Snow's written instructions or guidelines included with the product or made available to the original retail purchaser. In the event of failure, Snow will repair or replace the part at Snow's sole discretion. Failures resulting from misapplication or misuse of the Product, failure to adhere to any specifications or instructions, or failure resulting from neglect, abuse, accidents, or act of nature are not covered under this warranty.

Warranty service may be obtained by emailing [tech@snowperformance.net](mailto:tech@snowperformance.net) with a copy of your purchase invoice for the product, getting an RMA (Return Merchandise Authorization) number, and delivering the part to Snow. Customer agrees to insure the Product or assume the risk of loss or damage in transit, to prepay shipping charges to Snow, and to use the original shipping container or equivalent. Shipping for Warranty replacement parts shipped outside the continental US will be charged to customer.

#### **Non-Warranty Repair/Retest**

Products returned due to damage or misuse and Products retested with no problem found are subject to repair/retest charges. Product will be returned to customer at customer's expense. A credit card number must be provided in order to obtain an RMA (Return Merchandise Authorization) number prior to returning Product.

#### **Distributor/Dealer Warranty:**

All customers/dealers must deal directly with Snow Performance to receive warranty. No warranty will be issued through a distributor for any reason.

#### **Return Policy:**

All returns must be called in for RMA #. Snow Performance will not take used kits or parts for refund. If you are returning an unused kit there is a 15% restocking fee minus shipping/handling. All returns must be made within 30 days of purchase date. No exceptions.

**LIMITATION OF LIABILITY:** REPAIR OR REPLACEMENT OF A DEFECTIVE PRODUCT IS THE ORIGINAL RETAIL PURCHASER'S EXCLUSIVE REMEDY UNDER THIS WARRANTY. DAMAGE OR INJURY TO THE ORIGINAL RETAIL PURCHASER, TO HIS OR HER VEHICLE, CARGO, OR PROPERTY, AND/OR TO ANY OTHER PERSON OR PROPERTY IS NOT COVERED BY THIS WARRANTY. THIS WARRANTY IS EXPRESSLY MADE IN LIEU OF ANY AND ALL OTHER EXPRESS WARRANTIES, WHETHER ORAL OR WRITTEN. SNOW'S SOLE LIABILITY IS LIMITED TO THE REMEDY SET FORTH ABOVE. IN NO EVENT WILL SNOW BE LIABLE FOR ANY DIRECT, INDIRECT, CONSEQUENTIAL, INCIDENTAL, SPECIAL, EXEMPLARY, OR PUNITIVE DAMAGES OR FOR ANY OTHER DAMAGES OF ANY KIND OR NATURE (INCLUDING, BUT NOT LIMITED TO, LOST PROFITS OR LOST SALES). SOME STATES DO NOT ALLOW THE EXCLUSION OR LIMITATION OF INCIDENTAL OR CONSEQUENTIAL DAMAGES, SO THE ABOVE LIMITATIONS MAY NOT APPLY TO YOU.

**Snow Performance 5411 Seymour Hwy, Wichita Falls TX, 76310 T# 940-767-7694**